

BHW80 SERIES **Aluminium Ramps**

TAILOR MADE

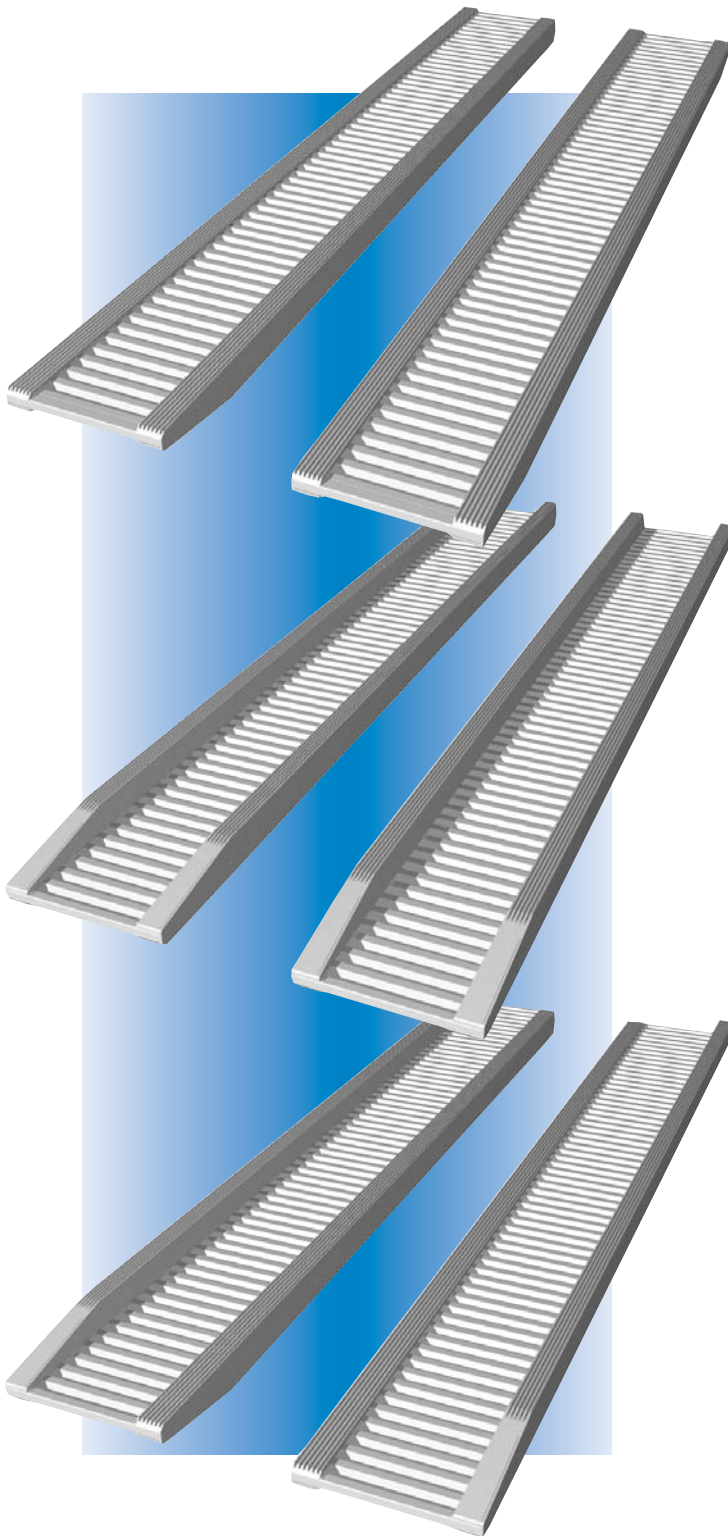
BHW80 series aluminium loading ramps can be tailored to suit individual requirements in terms of length and width. They can also be offered either flat topped or with upstands.

As a guide their carrying capacity is up to 3.5 tonne, depending on the length required and weight concentration of the load. They offer excellent value for money and long term durability.

Individual price quotations, including delivery, available by calling now on 0870 850 8989.

FEATURES INCLUDE

- *Lightweight, yet strong*
- *High quality aluminium*
- *All welded construction*
- *Easy to handle*
- *Ideal for 'slide-a-way' storage*
- *Weather resistant and maintenance free*
- *Easy to clean*



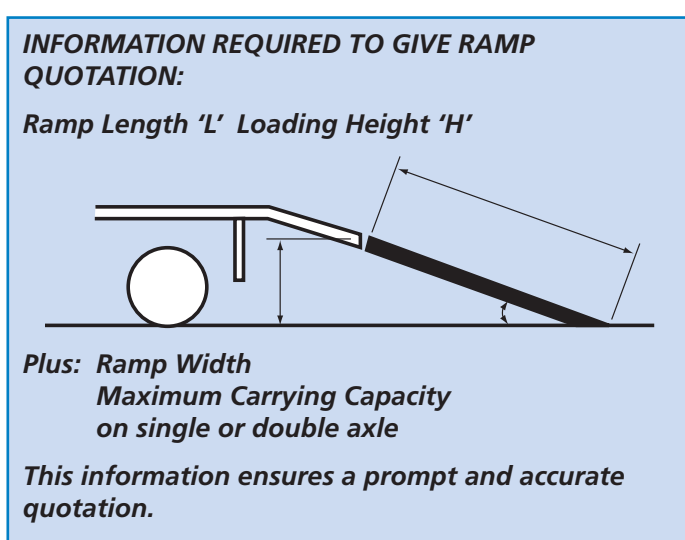
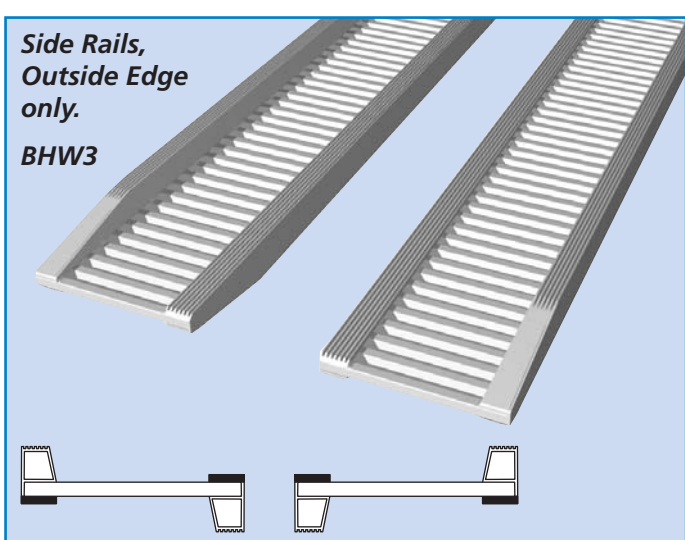
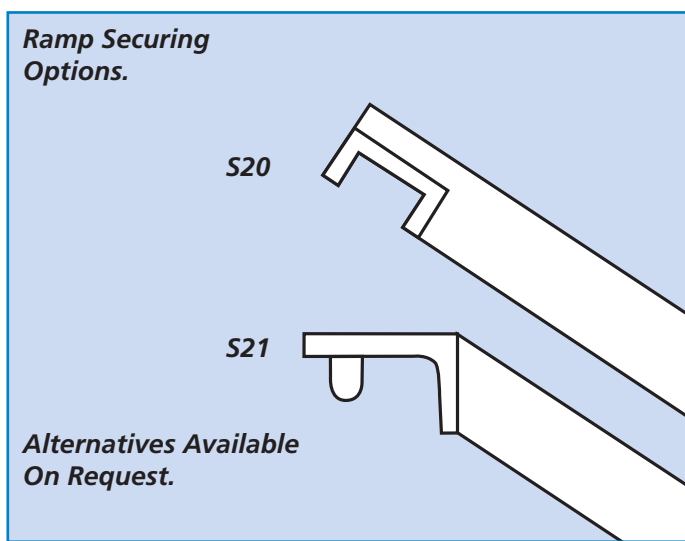
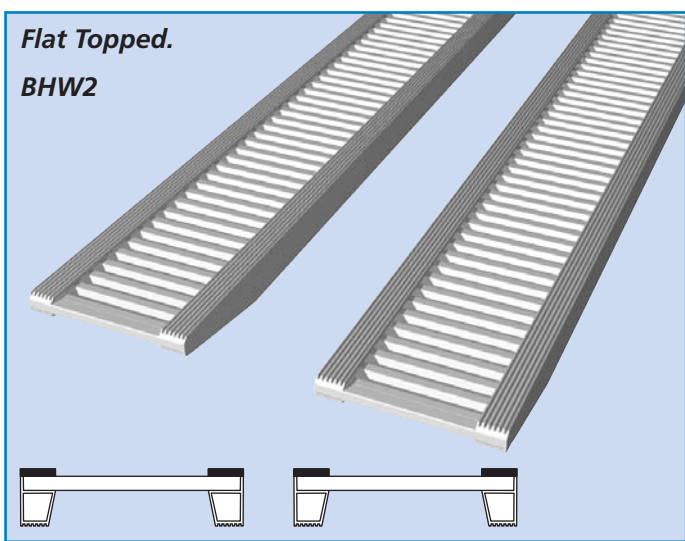
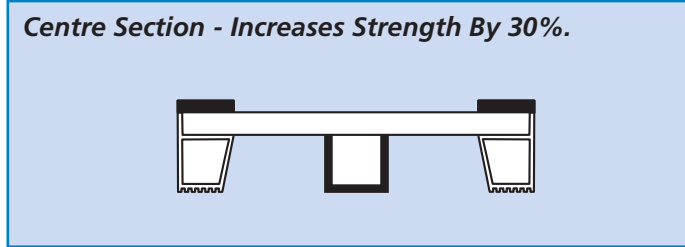
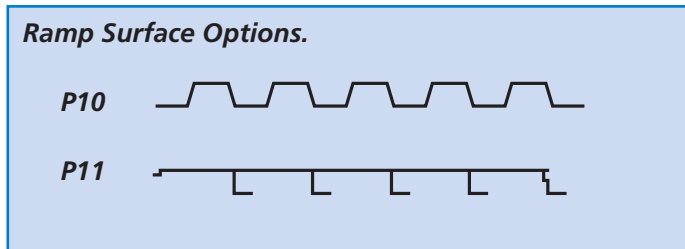
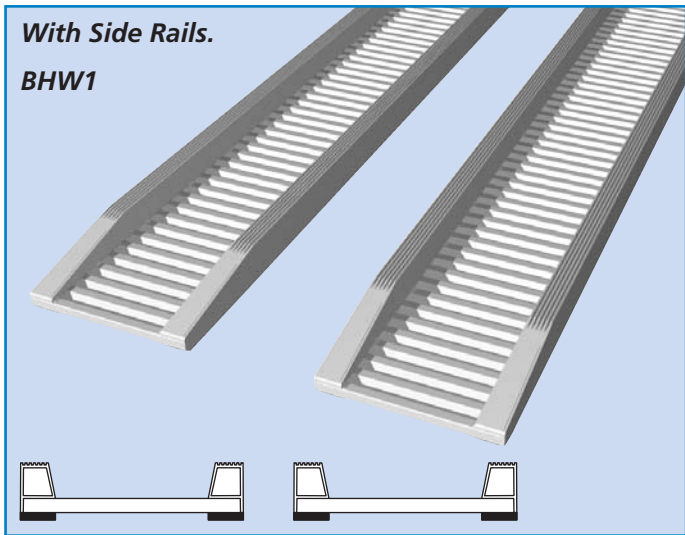
BUSHEY HALL Lismirrane Industrial Park Elstree Road Elstree Herts WD6 3EE T: +44 (0)20 8953 6050 F: +44 (0)20 8207 5308

WINCHMASTER Unit 6 South Orbital Trading Park Hedon Road Hull HU9 1NJ T: +44 (0)1482 223663 F: +44 (0)1482 218285

CENTRAL SALES 0870 850 8989
E: sales@bhwwgroup.co.uk W: www.bhwwgroup.co.uk



OPTIONS



BUSHEY HALL Lismirrane Industrial Park Elstree Road Elstree Herts WD6 3EE T: +44 (0)20 8953 6050 F: +44 (0)20 8207 5308
WINCHMASTER Unit 6 South Orbital Trading Park Hedon Road Hull HU9 1NJ T: +44 (0)1482 223663 F: +44 (0)1482 218285

CENTRAL SALES 0870 850 8989
E: sales@bhwwgroup.co.uk W: www.bhwwgroup.co.uk

