



BHW

Bushey Hall Winchmaster

www.bhwgroup.com



AC 1000 Mk2 1000kgf Pulling Winch with Freespool

110v or 240v x 1ph / 415v x 3ph AC

Typical uses include: Production line - Movement of loads; Servicing departments - Recovery of machinery for inspection; Installation - Positioning and movement of new equipment; Movement of rolling loads - including boats with trailers.

FEATURES INCLUDE

- **Powerful series wound, high torque motor options**
A choice of 110v, 240v x 1ph or 415v x 3ph
- **Automatic fail safe electric brake on the end of the motor.**
- **Low profile**
Allows winch to be installed in narrow spaces
- **Freespool clutch**
Enables easy unspooling of wire rope
- **Heavy duty mounting plate and roller guide**
For quick and simple installation
- **2 metre pendant control**
Pre-wired to the winch with 2 buttons and emergency stop. Low voltage (24v) control supplied as standard on 3ph models
- **2 metre power lead**
Pre-wired to the winch with commercial type plug
- **Wire rope positively secured to drum**
Using fixed plug and grub screw engagement

NEW EUROPEAN STANDARDS & BHW GROUP

The harmonised European standard: EN14492-1 for power driven winches provide the means for conformity to essential Health and Safety requirements of the EN Machinery Directive.

CE BHW Group Limited products are fully compliant and carry a CE mark. A Declaration of Conformity is also supplied with each winch. BHW Group Limited aim to ensure the correct machine is supplied to suit the application and we welcome the opportunity of discussing the proposed application and offer advice. It will help us considerably if information regarding the maximum and average loads to be lifted or pulled - and approximate frequency of use can be provided.

An AC1000 Mk2 winch requires a safety factor of 3:1 and a wire rope to mean drum diameter* of not less than 12. The maximum length of wire rope on the drum is determined by the guideline that when all the rope is wound on, a distance of 1.5 x the wire rope diameter should be remaining from the top layer to the outer edge of the drum flange.

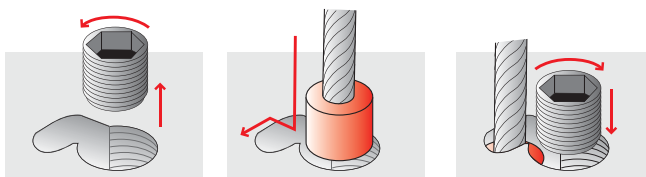
Winches with the potential to apply forces over 1000kg must be load limited to prevent them applying loads above the safe working capacity.

Maximum wire rope length permissible on the drum must leave 1.5 x wire rope diameter from the top layer to drum flange.

The standard EN14492-1 considers all types of winches used for all applications and suggests guards are fitted if there is a chance an operator may become entangled.. It is also important for the safety and ease of operation for the user to clearly see the wire rope wrapping onto the drum to ensure serious bunching and resulting jamming does not occur.

In an application where hand tension is applied to the hook whilst the rope is being wound back on to the drum for storage there is a risk of the hand being pulled into the roller guide or drum. A short webbing strap should be used that is looped onto the hook to prevent the risk of this occurring.

* Mean drum diameter = the drum diameter plus the diameter of the wire rope. ** MBF = the Minimum Breaking Force of the wire rope.



OPTIONAL EXTRAS

- **Wire rope**
- **Roller guides**
- **Mounting plate**
- **Low voltage control (Standard on 415v x 3ph)**
- **Radio remote control - via low voltage control**
- **Weather proof enclosure**
- **Skid frame**

Bushey Hall Winchmaster sales@bhwgroup.co.uk www.bhwgroup.com

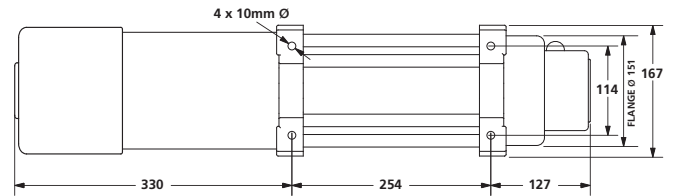
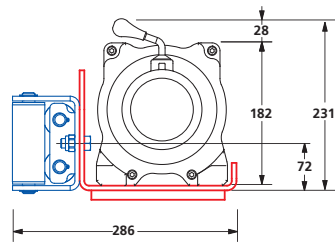
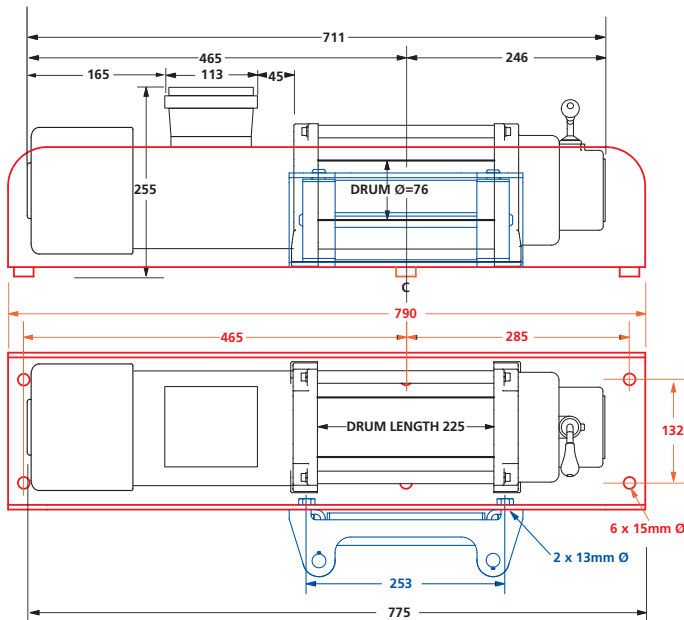
Southern Office: Lismirrane Industrial Park, Elstree Road, Elstree, Herts, WD6 3EE Tel: +44 (0)20 8953 6050 Fax: +44 (0)20 8207 5308

Northern Office: 6 South Orbital Trading Park, Hedon Road, Hull, East Yorkshire, HU9 1NJ Tel: +44 (0)1482 223 663 Fax: +44 (0)1482 218 285

Bushey Hall Winchmaster is a division of BHW Group Limited. Registered in England No. 1342461



CERT. No. 1769



LINE PULL AND LINE SPEED PERFORMANCES

AC1000 Mk2

110v / 240v / 415v

		LAYER			
		1	2	3	4
Maximum Rated Line Pull by Layer	kN	9.8	8.0	6.9	5.9
	kgf	1000	844	731	644
Rope Capacity Cumulative by Layer (7mm Dia. Wire Rope)	m	7.6	16.7	27.2	30
Line Speed*	m/min	3.1	3.4	3.8	4.2

* Based on recommended 7mm diameter wire rope, 1960N/mm² grade, 6 x 19 wire core construction



Low voltage (24v) pendant control is supplied as standard on 3ph models, and as an option for 1ph.

SPECIFICATIONS

Voltage options:	110v 1ph	240v 1ph	415v 3ph
Standard working length:	30 metres		
Weight: Total kit average	55kg		
Motor:	High torque, series wound either 1ph or 3ph with 3 stage planetary gearbox		
Outputs: Kilowatts	1.5kw	1.5kw	1.5kw
Amperes	24amp	12amp	4.5amp
Braking:	Electronic via motor		
Drum & flange dimensions:	225mm length, Drum Ø = 76mm, Flange Ø = 151mm		
Wire rope: ø x length	7mm x 40m		
Construction	1960N/mm ² grade, 6 x 19 wire core for maximum flexibility. Minimum factor of safety 3:1		
	Rope Ø to drum Ø ratio: 12:1		

NOTES

These winches must not be used for the movement of personnel and 7 wraps of wire rope must be maintained on the drum.

Data shown is approximate and intended as a guide only.

WARRANTY

Each new winch is guaranteed against defects in workmanship and material defects for a period of twelve months from date of purchase.

Wire ropes are not included under warranty.

Bushey Hall Winchmaster sales@bhwwgroup.co.uk www.bhwwgroup.com

Southern Office: Lismirrane Industrial Park, Elstree Road, Elstree, Herts, WD6 3EE Tel: +44 (0)20 8953 6050 Fax: +44 (0)20 8207 5308

Northern Office: 6 South Orbital Trading Park, Hedon Road, Hull, East Yorkshire, HU9 1NJ Tel: +44 (0)1482 223 663 Fax: +44 (0)1482 218 285

Bushey Hall Winchmaster is a division of BHW Group Limited. Registered in England No. 1342461



CERT. No. 1769

WM21/16.08.11